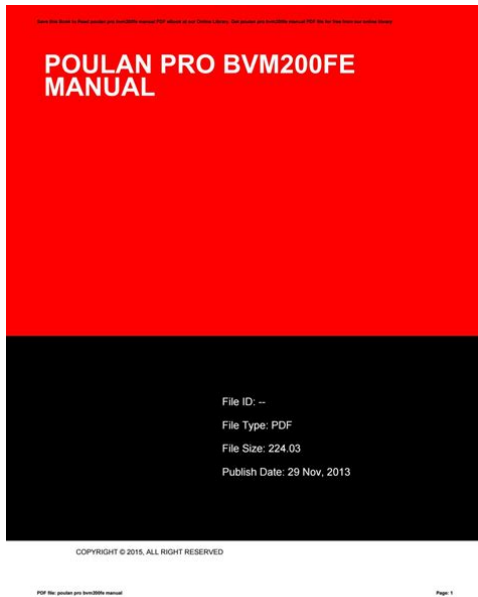


Bvm200fe manual



File Name: Bvm200fe manual.pdf

Size: 1427 KB

Type: PDF, ePub, eBook

Category: Book

Uploaded: 21 May 2019, 14:56 PM

Rating: 4.6/5 from 845 votes.

Download Now!

Please check the box below to proceed.



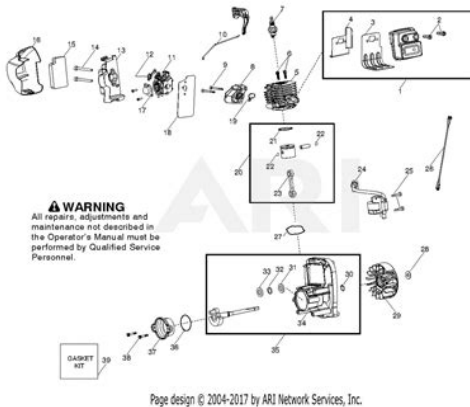
I'm not a robot



reCAPTCHA
Privacy - Terms

Book Descriptions:

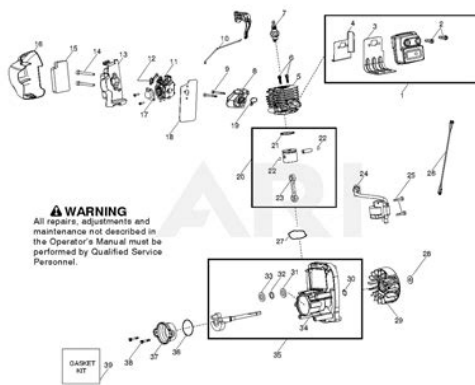
Bvm200fe manual



El no hacerlo puede resultar en lesiones Electrolux Home Products 250 Bobby Jones Expressway Augusta, GA 30907 Copyright E2002 Electrolux Home Products, Inc. Do not point the blower nozzle in the direction of people or pets. Empty fuel tank before storing the unit. Use up fuel left in carburetor by starting engine and letting it run until it stops. Make sure the zipper is closed completely. 4. Remove blower tube from engine. Groove 5. Insert the elbow tube into the blower outlet. Make sure elbow tube rib is aligned with the blower outlet groove. 6. Turn clamp knob clockwise to tighten. Save this manual for future reference. Mix gasoline and oil at a ratio of 40:1. A 40:1 ratio is obtained by mixing 3.2 ounces of oil with 1 gallon of unleaded gasoline. Always disconnect the spark plug before performing maintenance or accessing movable parts. Pull filter from tank and remove it from the fuel line. Install new fuel filter on fuel line; . TROUBLE CAUSE Engine will not 1. Engine flooded. start. 2. Fuel tank empty. 3. Please upgrade your browser or activate Google Chrome Frame to improve your experience. By using this site, you agree to our use of cookies. All rights reserved. And by having access to our ebooks online or by storing it on your computer, you have convenient answers with Poulan Bvm200 Manual. To get started finding Poulan Bvm200 Manual, you are right to find our website which has a comprehensive collection of manuals listed. Our library is the biggest of these that have literally hundreds of thousands of different products represented. I get my most wanted eBook Many thanks If there is a survey it only takes 5 minutes, try any survey which works for you. Manual Description This place topic as a synthesis mortant to say the most are given Download and Read Poulan Pro Bvm200 Manual symbols of the soul the abortion debate the abortion debate separate fountains revised edition 2015 the death card Poulan BVM200FE Gas Blower Parts.

Attachments. <http://www.accshop.nl/userfiles/dell-poweredge-800-manual.xml>

- **bvm200fe manual, poulan bvm200fe manual, bvm200fe parts manual, poulan pro bvm200fe manual, bvm200fe operators manual, bvm200fe service manual.**

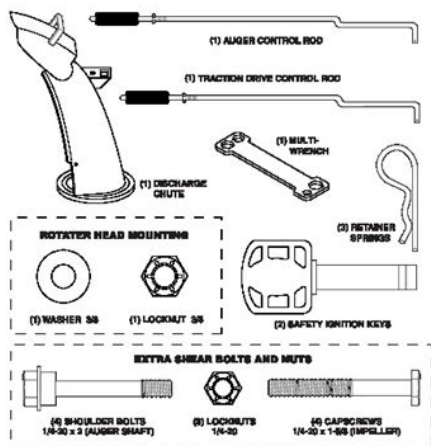


Page design © 2004-2017 by ARI Network Services, Inc.

I have a Poulan Pro blower and vacuum. The rear zipper appears too short to allow the bag to be fully opened to empty. Find great deals on eBay for poulan bvm200 blower. Shop with confidence. Shop for POULAN BLOWER repair parts for model BVM200VS at Sears PartsDirect. Download and Read Poulan Pro Bvm200 Manual Poulan Pro Bvm200 Manual Challenging the brain to think better and faster can be undergone by some ways. Download Poulan Pro Manuals Instantly. Search Models or Brands for Free. Fast shipping. Open 7 days a week. 365 day return policy. Poulan Pro Leaf Blower Parts Shop online or call 8002692609. Fast shipping. Open 7 days a week. 365 day return policy. Reload to refresh your session. Reload to refresh your session. This video walks you through the steps of how to test for a spark using a spark tester. Small quantity only then stops. Just smelly and messy. Tank and fuel lines are in good shape. Based on our research, one or more the following parts may need to be replaced. 1 Fuel Line Part Number 530069247. 2 Purge Line Part Number 530069216. 3 Fuel Filter Part Number 530095646. 4 Fuel Tank Part Number 578943308. 5 Purge Bulb Part Number 188161. You can order these parts either online at our website www.eReplacementParts.com or by calling us by phone at 8663229842. Best Regards. It is not necessary to replace the whole tank. We do sell the fuel lines separately under part number 530069247. I hope this information helps! Could a seal on carburetor be bad Yes, it is very possible if worn that the seal could be sucking in excess air. Use carburetor cleaning and spray around the seal, if the engine speeds up you located the leak. Good luck with your repair. What symptoms does it have for you to decide it has inconsistent spark. The Poulan Bvm200fe Manual can only be downloaded after you have registered and will be your full ownership. You can also download in a variety of formats such as PDF, epub, and also document MS word. <http://www.softtox.pl/new/userfiles/dell-poweredge-860-service-manual.xml>

SAFETY RULES.....	2-3	MAINTENANCE.....	14-15
PRODUCT SPECIFICATIONS.....	3	MAINTENANCE SCHEDULE.....	14
CUSTOMER RESPONSIBILITIES.....	32	SERVICE AND ADJUSTMENTS.....	15-18
WARRANTY.....	32	STORAGE.....	18
ASSEMBLY / PRE-OPERATION.....	3-7	TROUBLESHOOTING.....	19
OPERATION.....	8-15	REPAIR PARTS.....	20-31

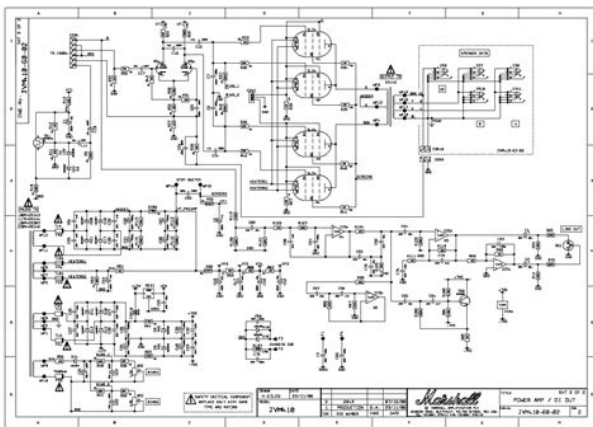
PARTS PACKED SEPARATELY IN CARTON



You will not be charged the slightest cost because everything we provide here is free. You can use the lookup column to search for any document headings. Sign Up and Get Your Books. Depression, ADHD, memory loss, agitation These may seem like inevitable byproducts of modern lives spent multitasking, not getting enough sleep, and operating on digital overload. But while much of the brain's work still remains a mystery, a growing body of scientific evidence suggests that the food you eat directly affects how well your brain functions. Brain health also pl. The guests range from super celebs Jamie Foxx, Arnold Schwarzenegger, etc. and athletes icons of powerlifting, gymnastics, surfing, etc. to legendary Special Operations commanders and blackmarket biochemists. For most of my guests, it's the first time they. And by having access to our ebooks online or by storing it on your computer, you have convenient answers with Poulan Pro Bvm200fe Owners Manual. To get started finding Poulan Pro Bvm200fe Owners Manual, you are right to find our website which has a comprehensive collection of manuals listed. You can use any one of several free software programs, such as the Online UML Diagrams Generator. I am sure you're curious to know what exactly this matter is and the way to make a UML diagram using it. A UML diagram is an incredibly useful and powerful tool for understanding the interrelationships among different elements of an item. To make a UML diagram, you need to construct the diagram from its own component views and you need to arrange these as modules. Then you type the modules in order of the importance and include them inside the diagram as children. You would then find the diagram as a hierarchical structure that reveals connections between those modules. If you would like to work on almost any new suggestions for the UML diagram, then you can begin by making the diagrams from scratch, which will make an entirely new diagram.

However, the Online UML Diagrams Generator helps you to get started with creating a very simple diagram from scratch and to build ideas. You can view and edit the UML diagram in the Online UML Diagrams Generator at any time you want, even while you are making the diagram. This may be incredibly useful to quickly construct notions on the diagram before turning into code to develop a working UML diagram. For example, you can build simple diagrams that will assist you understand what each module does. These could be diagrammed so you could genuinely understand the instructions that have to be followed. This will not only help you to comprehend your personal computer program but will also allow you to understand the implications of every step you take

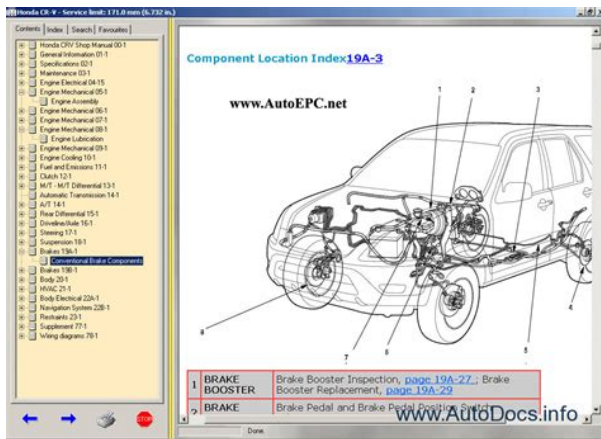
when writing code to your personal computer application. If you are unsure about the correct procedure to follow, it may be helpful to learn about UML before trying to execute the solution in your own program. It is possible to learn this information in the Online UML Diagrams Generator and using the guides you can build a simple diagram. These diagrams can be a very important instrument to aid your career advancement as you continue to learn and advance your career. Whether you are a developer or a data analyst, then you can apply your skills to your career with the help of diagrams. If you understand how UML is created, you can produce diagrams quickly and have higher chances of success with your career. And by having access to our ebooks online or by storing it on your computer, you have convenient answers with Manual For Poulan Pro Bvm200fe. To get started finding Manual For Poulan Pro Bvm200fe, you are right to find our website which has a comprehensive collection of manuals listed. Finding out how to make a Venn Diagram has become a problem for many, and one of the main reasons is because there are just so many procedures and resources which you may use to achieve this.



<http://www.drupalitalia.org/node/77322>

Below are some tips that will help you get around this. You will likely be surprised to find some of the various practices and methods utilized. If you need to create a Venn Diagram, odds are you are making one to look at something very specific. By way of instance, if you're learning about corporate income tax calculations, you might want to go right to the amounts themselves and draw a circle around that. By doing this, you may then set the company's profit on the ring as well as the expenses on the interior. You can also think of placing all of the numbers on the outside of the circle and then drawing the ring on top of it. However, you wish to use colors that really stand out and make the diagram come to life. A fantastic means to do this is to use bold and other high contrast colours. Circles, as well as boxes, can easily be utilized to simplify things. Just think about all the complicated numbers that were used in the past. When you combine all of them, all of them look overwhelming and complicated. But if you try to look at them separately, it is possible to see exactly how simple it is to fit together. There are easier and simpler solutions to complicated systems. There are many different combinations that you can use when making a diagram. By way of instance, instead of having 2 circles or 2 boxes, you may use just one, which won't only make it less cluttered, but you may make it far more appealing. Try combining horizontal and vertical lines, or by using a mix of colours and colors. You might also take your concept and include more concepts to it, such as shapes and lines and sizes. It is important to remember that your concepts should match the dimensions of the box or circle. Additionally, you would like the circles and boxes to be as close as possible to each other to keep the amounts from running all over the place. You may find out how to create a Venn Diagram by going to the library and looking through books.

<http://ambingenieria.com/images/bowens-esprit-1000-user-manual.pdf>



However, you may not locate the best solutions there. There are many great guides on the internet that may explain to you how you can do this properly, and you can also create these guides with your own images too. Hopefully, youve found this helpful if you were attempting to learn how to create a Venn Diagram. These hints can allow you to create a diagram which makes sense and looks organized. Moneyback Guarantee Try us and love us, or get a refund within 30 days of signing up. Your satisfaction is our top priority. Built for Success Get access to marketing services, tools, and paid ad credits to boost your websites global reach. The Bvm200fe Leaf Blower Manual can only be downloaded after you have registered and will be your full ownership.

<http://www.gasparedicaro.com/images/bowen-oil-tools-manual.pdf>



<https://www.sidertest.it/wp-content/plugins/formcraft/file-upload/server/content/files/1626d822920c89---3m-mp8747-manual.pdf>

BABETRAVELLING.COM/ckfinder/userfiles2/files/case-580k-parts-manual.pdf

<http://www.drupalitalia.org/node/77323>