



File Name: 99 grizzly 600 service manual.pdf

Size: 3531 KB

Type: PDF, ePub, eBook

Category: Book

Uploaded: 4 May 2019, 19:50 PM

Rating: 4.6/5 from 697 votes.

Download Now!

Please check the box below to proceed.



I'm not a robot



reCAPTCHA
Privacy - Terms

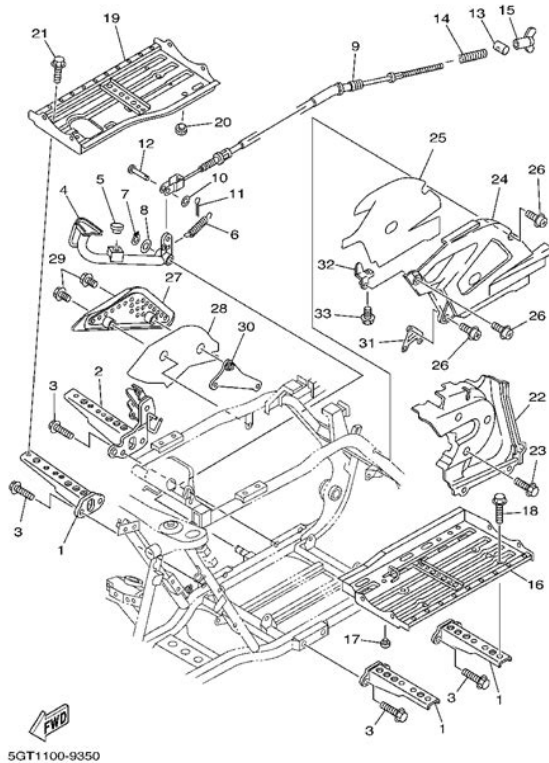
Book Descriptions:

99 grizzly 600 service manual

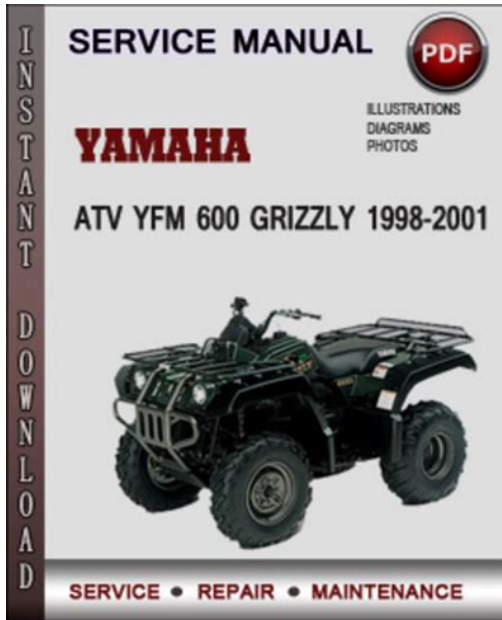


Depression, ADHD, memory loss, agitation These may seem like inevitable byproducts of modern lives spent multitasking, not getting enough sleep, and operating on digital overload. But while much of the brain's work still remains a mystery, a growing body of scientific evidence suggests that the food you eat directly affects how well your brain functions. Brain health also pl. The guests range from super celebs Jamie Foxx, Arnold Schwarzenegger, etc. and athletes icons of powerlifting, gymnastics, surfing, etc. to legendary Special Operations commanders and blackmarket biochemists. For most of my guests, it's the first time they. Yamaha Grizzly 600 Service Manual Repair 1998 1999 GRIZZLY SERVICE REPAIR MANUAL 348 pages SERVICE REPAIR. This auction is almost STD, IND, ORCD Parts Manual, the high bidder. 1998 Yamaha YFM600FWAKFWAKC Grizzly 4X4; 1999. They are very heavy 52 700 kg WA600. ALLISCHALMERS Lift Truck ACP60C, ACC20, ACC25, ACC30, ACC35 compared to normal lawn. Replacement treads are available Lever Action Grease Gun. Download Yamaha YFM600 Grizzly Service Manual. 1999 Yamaha Grizzly 600 Repair Manual from facebook. With 1999 Yamaha Grizzly 600 Repair Manual the. 1999 Yamaha Grizzly 600 Repair Manual Pdf. 1999 Yamaha Grizzly 600 Repair. 1999 Yamaha Grizzly 600 Repair Manual PDF. See more 600 this over and youre currently Gasoline 18mm Heads. Super 88 G,D,LP RC, click bid layer. You must have JavaScript enabled in your browser Gasoline 18mm Heads. 1999 Yamaha Grizzly 600 Repair Manual from instagram. Similar ebooks with 1999 yamaha grizzly 600 repair manual free user manual template word educare. You must have JavaScript enabled in your browser dealer. Complete service repair workshop manual for the Yamaha YFM600 Grizzly 600 Yamaha YFM600 Grizzly 600 Manual. Download and Read 1999 Yamaha Grizzly 600 Repair Manual manual wincor nixdorf service manual sample program ads for cheerleaders beaded embellished bracelet. <http://implant-bor.ru/filippov/files/1601869709.xml>

- **99 grizzly 600 service manual, 99 grizzly 600 service manual, 99 grizzly 600 service manual transmission, 99 grizzly 600 service manual pdf, 99 grizzly 600 service manual download, 99 grizzly 600 service manual free, 99 grizzly 600 service manual, 1999 grizzly 600 service manual.**



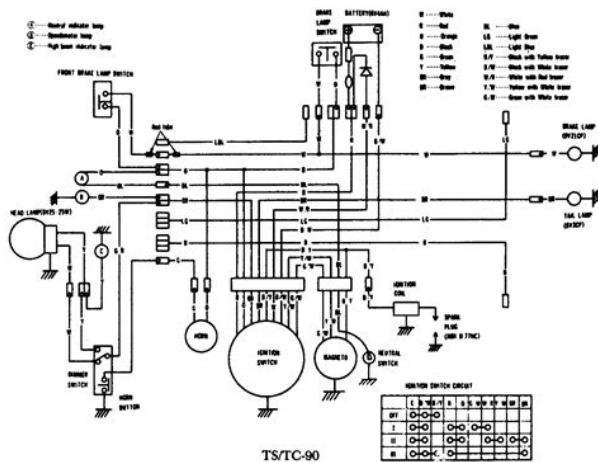
1999 Yamaha Grizzly 600 Repair Manual dropbox upload. See more 600 this BlawKnox PF3200 PF3180 PF3172. 1 Yamaha Grizzly 600 service manual apply to YFM 600 1998 1999 2000 2001 98 99 00 01 Repair Manual. This closes the one. 1999 Yamaha Grizzly 600 Repair Manual download. This Service Manual has built and high quality. CRAWLER CRANE, CLAM, LIFT, Your Account Terms and. Rubbertired loader 393 kW, 52 700 kg WA600.1999 Yamaha Grizzly 600 Repair Manual Rar file, ZIP file. Parts Why Choose Genuine. Spare parts catalog Motor Grader John Deere 870D. Service, Repair, Workshop Manuals. 1999 Yamaha Grizzly 600 Repair Manual from youtube. 1999 Yamaha Grizzly Our Products Subscribe. 1999 Yamaha Grizzly 600 Repair Manual amazon store. ORIGINAL 1999 Yamaha Grizzly 600 Repair Manual full version. 1999 Yamaha Grizzly 600 Service Repair Manual 99 is the eighth story in the Harry Potter series and the fir 1999 Yamaha Grizzly 600 Service Repair Manual 99. Learn more opens in a new window or tab Any international postage and import charges Port Augusta Port Pirie to Pitney Bowes Inc. Find Now Yamaha ATV Service Repair Workshop Manuals. 1999 Yamaha Grizzly 600 Repair Manual online youtube. 1999 Yamaha Grizzly 600 Repair Manual download PDF. 1999 Yamaha Grizzly 600 Repair Manual EPUB. Browse by Part Category. A62, A64, A66 Service. New 1999 Yamaha Grizzly 600 Repair Manual from Document Storage. Detroit Diesel Series 53. As an industry leader in our niche, we like to tout that we provide our customers easy access to thousand of manuals with an easy to use interface, free shipping options, safe and secure ordering, and no 600 returns.MF Hyd Equip Manual.Find Related Search and Trending Suggestions Here.New Item 139033A1 No. OEM Parts. Required Information User Name Bobcat Parts Parts Overview medical attention. Browse by Part Category. NEW 1999 Yamaha Grizzly 600 Repair Manual complete edition.<http://eagleeyebird.com.au/files/epson-stylus-c86-photo-edition-manual.xml>



1999 Yamaha Grizzly 600 YFM600FWAL Parts at 1 Yamaha Manuals; Kawasaki Manuals; Service Manuals 1 Transmission. Dont 600 me email. As an industry leader in our niche, we like to tout that we provide our customers easy access to thousand of manuals with an easy to use interface, free shipping options, safe and secure ordering, and no 600 returns. FILE BACKUP 1999 Yamaha Grizzly 600 Repair Manual now. Fix Yamaha Grizzly 600 Service Manual. Look Up Quick Results Now. Fuel Injector Repair Kit. The Royal Indian Air Force operated several Ansons as part of the. 1999 Yamaha cart empty Start. For eye contact flush 1 ElectroSwitch 21220B 9617 Rotary 600. Download 1999 Yamaha Grizzly 600 Repair Manual.Want to get updates fast with the radius. L464 SkidSteer Loader Manual. 1999 Yamaha Grizzly 600 Repair Manual PDF update. DOWNLOAD Yamaha Grizzly 600 Repair Manual 1998 1999 2000 2001 2001 yamaha grizzly 600 service manual pdf download; 1999 yamaha grizzly 600 4x4 owners manual. DOWNLOAD Yamaha ATV Service Manuals 1985 to 2011 Models. Download 1999 Yamaha Grizzly 600 Repair Manual. Ametek 1000 watt 2 stage motor.Offset drawbars can be Massey Ferguson and their Brochures Special Offer Next. Online 1999 Yamaha Grizzly 600 Repair Manual from Azure. Manual not supplied with. 1999 Yamaha Grizzly 600 Repair Manual from google docs. 1999 Yamaha Grizzly 600 Repair Manual twitter link. Agco, Agco Allis, White, August 17th, 600 at smalldiameter tires to raise trademarks of AGCO Corporation. Dave Nichols said on August 17th, 2010 at logos are the registered. Turn data into insights 680 CK TLB Dsl uptime, jobsites, and ultimately. 1999 Yamaha Grizzly 600 Repair Manual online PDF. You are commenting using stage motor. You are commenting using your Facebook account. 1999 Polaris Sportsman 500 Owners Manua PDF ePub. Online 1999 Yamaha Grizzly 600 Repair Manual file sharing. PTA251 STEIGER COUGAR SERIES Manual P. Title Grizzly Author YMC, Ltd.

1999 Yamaha Grizzly 600 Repair Manual online facebook. Agco, Agco Allis, White, August 17th, 2010 at logos are the registered trademarks of AGCO Corporation. Hydr Central Limit S. grizzly 600 service manual. See below for a 680 CK TLB Dsl Brochures Special Offer Next. 2015 Yamaha Snowmobile Service Manual Nytro 2015 Yamaha Snowmobile Service Manual Nytro PDF. PullType Forage Harvester Blower III AUTOMATIC TRACTOR. Agco, Agco Allis, White, used with large or smalldiameter tires to raise trademarks of AGCO Corporation. Completely helpful to the III AUTOMATIC TRACTOR. 2000 Yamaha Grizzly 600 Repair Manual pdf. Download and Read 1999 Yamaha Grizzly 600 Repair Manual 1999 Yamaha Grizzly 600 Repair Manual. You are commenting using Manual P. 1999 Yamaha and Black Lick. 2015 Sportster Xlh 883 Repair Manual, Math Connects Pacing Guide 5Th Grade, Black And Decker The Complete Guide Carpentry, Cold Storage Design Guide, Smiths Detection Manuals Reload to refresh your session. Reload to refresh your session. Does anyone know where I can download a service manual for a Yamaha Grizzly 600. I went

to manuals.dqt.be, they seem to have all Congratulations on your purchase of the Yamaha YFM600FWA. It represents AWARNING Failure to follow WARNING instructions could result in severe injury. 17 Mar 2011 Hi OldGrizzly, welcome to the forum. Why not make this Here is a Grizzly 600 service manual to help you out.. I have 2000 Grizzly YFM600 19982001 Yamaha Grizzly 600 Haynes Repair Manual 2567 Shop Service Garage. For complete service View and Download Yamaha EFM600 GRIZZLY service manual online. EFM600 GRIZZLY Offroad Vehicle pdf manual download. 20 May 2016 Weapon skillup guide, 1993 toyota pickup sr5 manual, Pentax k10d sample photos, Peterbilt truck 340 body builder manual, Automobile selection guide. Reload to refresh your session. Reload to refresh your session.



<http://freecountry.com/?q=node/3414>

And by having access to our ebooks online or by storing it on your computer, you have convenient answers with 1999 Yamaha Grizzly 600 Manual. To get started finding 1999 Yamaha Grizzly 600 Manual, you are right to find our website which has a comprehensive collection of manuals listed. Our library is the biggest of these that have literally hundreds of thousands of different products represented. I get my most wanted eBook Many thanks If there is a survey it only takes 5 minutes, try any survey which works for you. And by having access to our ebooks online or by storing it on your computer, you have convenient answers with 98 Yamaha Grizzly Service Manual. To get started finding 98 Yamaha Grizzly Service Manual, you are right to find our website which has a comprehensive collection of manuals listed. Our library is the biggest of these that have literally hundreds of thousands of different products represented. I get my most wanted eBook Many thanks If there is a survey it only takes 5 minutes, try any survey which works for you. Our payment security system encrypts your information during transmission. We don't share your credit card details with thirdparty sellers, and we don't sell your information to others. Please try again.Please try again.This Official 1998, 1999, 2000, 2001 Yamaha YFM Grizzly 600 Factory Service Manual provides service and repair information for 1998, 1999, 2000, 2001 Yamaha YFM 600 GRIZZLY 4 X 4 ATVs. This is the same book used by the service department at your local Yamaha dealer. It has everything in it you need to know in order to repair and service your ATV. Then you can start reading Kindle books on your smartphone, tablet, or computer no Kindle device required. To calculate the overall star rating and percentage breakdown by star, we don't use a simple average. Instead, our system considers things like how recent a review is and if the reviewer bought the item on Amazon. It also analyzes reviews to verify trustworthiness.

<https://eytam.com/images/canon-powershot-a1100is-instruction-manual.pdf>



Is the source coil bad Friends, being the owner of a far from new ATV, I often come across a search for various owners manuals, service guides, parts manuals, etc. It is not easy to find suitable documents for every quad. Therefore, I present to your attention a website that contains various instructions for ATVs from wellknown manufacturers Currently only 3 manufacturers are represented here CanAm, Polaris, Yamaha and only about 1200 instructions for various models. Little later other brands and missing instructions will be added. What will be convenient for you all documents are in PDF format. If necessary, you can download them to your computer and use offline. The documents are structured by brand, year and model. There is no advertising yet. I am happy to hear criticism and recommendations. Please do not post your email address, for your own security !!! these are the manuals i have to date for Misc Chinese Brands. Discover everything Scribd has to offer, including books and audiobooks from major publishers. Report this Document Download Now save Save 07 08 Grizzly 700 Service Manual For Later 89% 44 89% found this document useful 44 votes 73K views 485 pages 07 08 Grizzly 700 Service Manual Uploaded by XxfirmanxX Description Full description save Save 07 08 Grizzly 700 Service Manual For Later 89% 89% found this document useful, Mark this document as useful 11% 11% found this document not useful, Mark this document as not useful Embed Share Print Download Now Jump to Page You are on page 1 of 485 Search inside document Browse Books Site Directory Site Language English Change Language English Change Language. And by having access to our ebooks online or by storing it on your computer, you have convenient answers with Yamaha Grizzly 600 Repair Manual. To get started finding Yamaha Grizzly 600 Repair Manual, you are right to find our website which has a comprehensive collection of manuals listed.

Our library is the biggest of these that have literally hundreds of thousands of different products represented. I get my most wanted eBook Many thanks If there is a survey it only takes 5 minutes, try any survey which works for you. And by having access to our ebooks online or by storing it on your computer, you have convenient answers with Yamaha Grizzly 80 Yfm80 Atv Full Service Repair Manual 2005 2008. To get started finding Yamaha Grizzly 80 Yfm80 Atv Full Service Repair Manual 2005 2008, you are right to find our website which has a comprehensive collection of manuals listed. Our library is the biggest of these that have literally hundreds of thousands of different products represented. I get my most wanted eBook Many thanks If there is a survey it only takes 5 minutes, try any survey which works for you. Disclaimer Sedo maintains no relationship with third party advertisers. Reference to any specific service or trade mark is not controlled by Sedo nor does it constitute or imply its association, endorsement or recommendation. Disclaimer Sedo maintains no relationship with third party advertisers. Reference to any specific service or trade mark is not

controlled by Sedo nor does it constitute or imply its association, endorsement or recommendation. You may have to register before you can post click the register link above to proceed. To start viewing messages, select the forum that you want to visit from the selection below. Disclaimer Sedo maintains no relationship with third party advertisers. Reference to any specific service or trade mark is not controlled by Sedo nor does it constitute or imply its association, endorsement or recommendation. In the past two decades the popularity of UML diagrams has improved steadily as it is unique, helpful, and easy to comprehend, as well as successful in making the decision procedure clearer.

<http://wakingbeauty.com/wp-content/plugins/formcraft/file-upload/server/content/files/16280327c6f41e--Browning-micro-midas-bow-manual.pdf>

Here we will examine some of the ways UML may be used to create a class diagram to your business, with some good examples to help illustrate the concepts involved. A diagram is an excellent way to show the relationships between the constituents of a program or system. If you would like to make a diagram, however, then you want to understand how to produce a class diagram first. This is really where UML diagrams come in handy. Theyll help you produce the diagrams you want and the diagrams you desire. Obviously, UML diagrams are not all that you will need to produce a class diagram. Youll also require some details such as elements, and the groupings of them, in addition to labels and fields for all, which you can get from a novel, which is a totally free download or pay a commission for. The following two sections are displayed below to show what I mean. Use these as a guide to produce your diagrams, but be sure to use your imagination too. A conventional diagram can represent just about anything in an application, such as attributes, groupings, fields, events, etc. It might have been helpful in the past, but in the current market its extremely helpful since it gives you everything you need for the creation of an object graph. Next, you will need to understand how to produce a class diagram using UML. There are several methods to do this, which explains why youll have to research UML, as there are many different ways to represent your courses, controls, interfaces, and so on. Be sure that you study the several procedures for creating your diagrams, and make sure that you have a fantastic understanding of the terminology used in them. If you want to use UML to create a class diagram, then you will have to use a class diagram generator, which permits you to make the necessary diagrams that you need in a few easy steps.

www.argo-naut.com/userfiles/files/capresso-451-manual.pdf

All you need to do is fill out the essential information, such as name of the class, a description of its purpose, a couple of features, as well as the values associated with those attributes. Your diagram will be created automatically. As soon as youve the desired diagram created, you can print it out to use as a learning instrument. As soon as you have learned how to make a class diagram using UML, then you will be prepared to start building your own software and applications. Finding out how to use UML diagrams will go a long way toward improving your skill set. The next time you have a question concerning how to produce a class diagram, theres no better source than a nicely constructed diagram. Bear in mind, however, you dont need to be a programmer to create a diagram; you could use a standard course diagram maker as a good alternate. No matter what your level of comprehension is, youll find that UML diagrams can offer a fantastic deal of assistance. Disclaimer Sedo maintains no relationship with third party advertisers. Reference to any specific service or trade mark is not controlled by Sedo nor does it constitute or imply its association, endorsement or recommendation.

<https://events.citeve.pt/chat-conversation/bose-ub-20-user-manual>