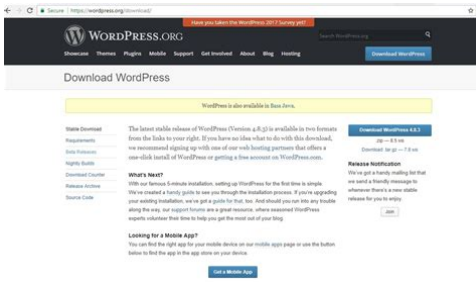


cpanel manual update



File Name: cpanel manual update.pdf

Size: 3948 KB

Type: PDF, ePub, eBook

Category: Book

Uploaded: 29 May 2019, 16:48 PM

Rating: 4.6/5 from 636 votes.

Status: AVAILABLE

Last checked: 5 Minutes ago!

In order to read or download cpanel manual update ebook, you need to create a FREE account.

[**Download Now!**](#)

eBook includes PDF, ePub and Kindle version

[Register a free 1 month Trial Account.](#)

[Download as many books as you like \(Personal use\)](#)

[Cancel the membership at any time if not satisfied.](#)

[Join Over 80000 Happy Readers](#)

Book Descriptions:

We have made it easy for you to find a PDF Ebooks without any digging. And by having access to our ebooks online or by storing it on your computer, you have convenient answers with cpanel manual update . To get started finding cpanel manual update , you are right to find our website which has a comprehensive collection of manuals listed.

Our library is the biggest of these that have literally hundreds of thousands of different products represented.



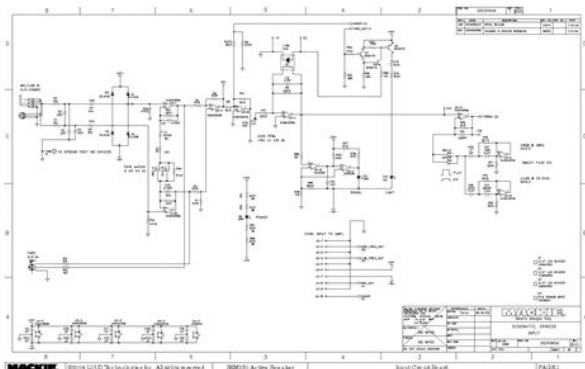
To upgrade or update cPanel, run the following command Even if there isnt an available update, this command will check several things anyway. When done, you can log out of SSH and check WHM in your web browser for new features or settings. To update the software from the command line, start by logging into your server by SSH as root. Your data will not be affected. If your WHM installation is already uptodate, you can still force an update; this will essentially cause WHM to be reinstalled while keeping all your configurations. Simply run the following command To contact technical support, please consult our guide on Opening a Technical Ticket. Submit a request. Next time you update cPanel, this preferred version will be installed. You just need to SSH into the server and execute the script. This custom script is uploaded to the server while installing cPanel. The idea behind this is mentiond earlier in this article. All the updates will be logged in the said file and you can refer this for references regarding the updates. We are available 24x7 via live chat. Find out more about us at Notify me of new posts by email. You can upgrade cPanel via the WHM interface or via the command line. This can be useful if any files are corrupt and you wish to reinstall them. The process will begin. June 9, 2020 How to install DokuWiki manually June 8, 2020 How to get the size of a MySQL database. All rights reserved. You may begin typing the word “update” to narrow down the list. The control panel now will check each night for updates to the items you selected and will install the updates automatically. It has no bearing on any other software on the server, such as Apache, MySQL, PHP, WordPress, or other CMS. Because the tier names sometimes lead to confusion, here’s a quick rundown of each It will have had the most public exposure and, be the most thoroughly tested as a result. It may occasionally match the Release version, but typically will be an older build.<http://www.demenagements-remond.fr/userfiles/20201014003628.xml>



It is tested, but may not contain all the functionality of the version which eventually make its way to the Release tier. It generally is not recommended. It is not fully tested nor feature complete, and intended only for testing purposes. It should never be selected in a production environment. Were Here for You. Additionally, these servers will update to the newest LTS version when it is released. For example, after the Autofixer update, all LTS tier servers will automatically update to Version 86, anticipated in March 2020. Additionally, servers may begin to send email notifications to the server owner’s contact email address. By running current and supported software versions, you prevent the likelihood of potential compromises and vulnerabilities, such as the Exim CVE, that happened earlier this summer. Additionally, by offering current versions of software to your endusers, you provide them with access to the latest and greatest tools and features that cPanel has to offer! We recommend updating these integrations and themes as needed. For assistance, please reach out to our cPanel Developer Forum. You can reach us through one of our social channels for discussion. You can contact us through either our Slack or Discord channels, our cPanel forums, as well as our official cPanel subreddit. Bringing the wonderful community closer to the hardworking folks that make cPanel awesome. Feel free to learn how to do it via Crocoblock Dashboard. This tutorial will teach you, how to update Jet Plugins manually. It will take you through the process of updating the plugin to its latest version manually it’s based on Bluehost server cPanel, but you can follow these steps to make manual updates using your own server’s cPanel . Just follow the detailed instructions

below in order to get the plugin updated. Preparation First, enter your Crocoblock account and proceed to the Downloads section. From the list of plugins select the one you want to update.

Click the Download button to download the.zip package containing the plugin to your hard drive. Manual Update 1 Step — First, open your Bluehost cPanel and scroll down to the Files block. Please, make sure you've deleted the folder containing the previous version of this plugin before extracting the latest plugin's version. To unpack the.zip package containing the plugin's files select the.zip archive containing the plugin files and click the Extract button in the toolbar on the top. 5 Step — Now if you go to the Plugins section in your WordPress Dashboard, you can notice, that the latest version of the plugin has been installed. Click Activate option to make the new plugin's version active on your site. Congrats! It's so simple, isn't it. Boost your website with Crocoblock plugins. Have a look at the list of JetPlugins and you will find something for yourself. Find out more Post navigation How to reinstall Jet Plugins manually Prev post Manual Crocoblock Installation Next post Products Plugins Extras Widgets Kava Theme DevTools Company Blog About Us Brand Assets Made with Croco Refund Policy Affiliates Information Help Center FAQ DevHub WP Hosting WP Plugins WP Media Compare Crocoblock Dynamic content Advanced Filters Booking functionality Appointment functionality Feeling like subscribing. All Rights Reserved. Made in Ukraine. YouTube Facebook Instagram Twitter linkedin Github. This build is not intended for production use and is delivered ASIS, with no warranties expressed or implied. This build will expire on 1555977600.For more information, read our documentation about release tiers and updates. Don't install them in a production environment. They change often and we may not have fully tested or documented them yet.You can't downgrade or select tiers that are older than the currently installed version. Make sure to select a directory with enough disk space. By continuing to browse the site you are agreeing to our use of cookies.

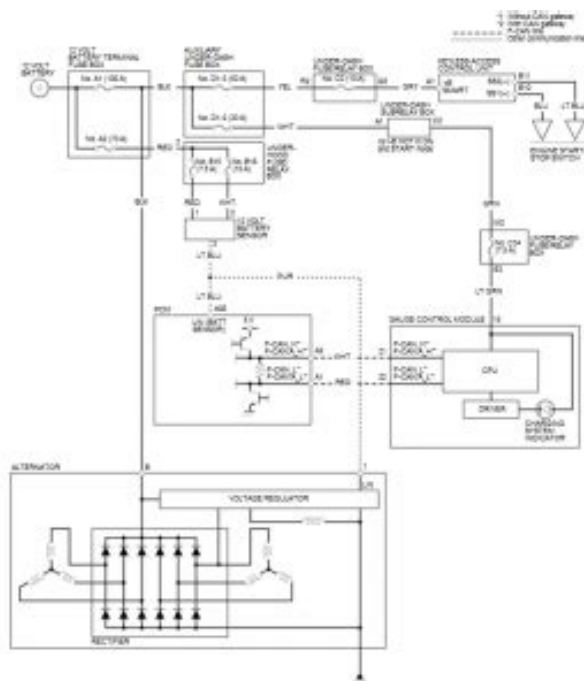


<https://www.interactivelearnings.com/forum/selenium-using-c/topic/17683/boss-me-8b-manual>

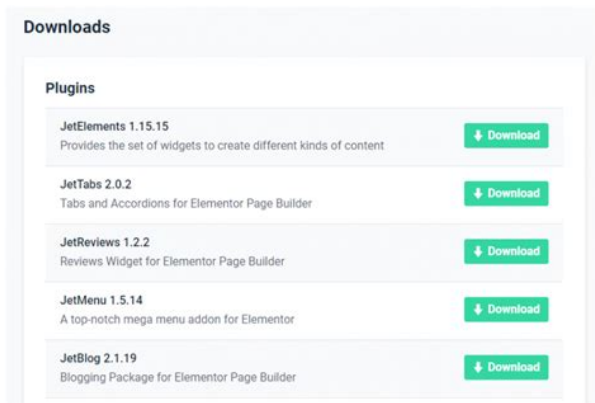
To check the WordPress version for a particular domain name, use the dropdown menu under Autoupdate Status. If you want to add another installation, you can do it from the link at the bottom of the page. Minor releases include security improvements and bug fixes and we recommend the immediate update for these. Major releases introduce functionality updates and more significant changes. Default settings in the tool are an immediate update for minor releases and 24 hours for major releases. WordPress Autoupdate stores a backup of your website each time it performs an automatic update. If something goes wrong, select your site and go to the Last Backup. If you insist to do it, though, you can skip scheduled updates in the interval between the time when the new version is released and your scheduled autoupdate. Doing this will skip only the current update but not the upcoming ones. My websites are clean, what to do next. My websites are infected, what to do next. What to do when antivirus has detected malware in the legitimate file. How to speed up the Antivirus. How to update the Antivirus. What if the Antivirus has not detected some malicious files.

Where can I find the ImunifyAV log file on Plesk. CloudLinux Inc How to Getting started Contact support Blog. You can change or verify the update settings with this option. In order to perform this task, you should go for cPanel. Click on the Upgrade to Latest Version. Click to Upgrade button is there to start the process. Login A Ticket Windows Support You can also choose how cPanel is updated when WHM is updated. A good balance of stability and features and the one we recommend. Not recommended, as there's very little support can do if something breaks. Often times this version can completely break WHM, meaning we simply have to do a restore from a backup for you If for some reason, there are parts you don't want to update, you can change that now too.

<http://china-hr-tomorrow.com/images/99-grand-am-se-owners-manual.pdf>



For instance, not updating cPanel's ftp, courier, bandmin, nds, dovecot or python. An Email Ticket. Depending on the server that you are on, you will have either the MultiPHP Manager or the PHP Selector plugin in the cPanel, which is used to modify your websites PHP versions. Take me there. You can also log in after clicking the link. The hosting package you are attempting to access is either a Shared or Cloud. Select the domain you want to update by checking the box on its left side. Choose your preferred PHP version from the dropdown, then click Apply. There will be a popup in the upper right corner notifying you that the change was successful. Please see How to Fix Error After MultiPHP Update. In the Software section, click the PHP Selector icon. Navigate to the directory which you'd like to update the PHP version. From the dropdown menu, select the version of PHP you want to use and then click Update. This means any update you apply to a directory will also apply to all subdirectories unless you apply a different directive to one of those subdirectories. Therefore, to use a different PHP version for an addon domain, you would need to navigate to the document root for the addon domain and select the appropriate version of PHP. Here is a video tutorial on how to fix it Contact HostGator support via phone or Live Chat, and we will be happy to assist you. We can transfer website files, databases, scripts, and one free domain registration transfer. What qualifies me for a free transfer. HostGator provides free transfers for new accounts within 30 days of signup, and to newly upgraded accounts. For upgraded accounts it must be an interserver upgrade to qualify. Please note that downgraded accounts do not qualify for free transfers. Depending on which type of account you sign up for, we offer differing numbers of free transfers. Please refer to the chart below to see what we include for new packages.



Full cPanel Transfers is the number of cPanel to cPanel transfers that are included. Max. Manual Transfers is the maximum number of Manual Transfers that are included with your account. Total Free Transfers is the total number websites that we will move for you. Account Type Total Free Transfers Full cPanel Transfers Max. Manual Transfers online form to initiate your website content transfers. VPS accounts that have a control panel either cPanel or Plesk qualify for unlimited cPanel to cPanel transfers, or up to 10 Manual Transfers per VPS level. I.E. a Level 5 VPS qualifies for 50 manual transfers, while a Level 7 qualifies for 70 manual transfers. Snappy 500 or VPS without a control panel VPS accounts with no control panel are for advanced Linux customers who are comfortable with installing and configuring their own services. If you are not comfortable with installing and configuring their own services, we suggest upgrading to a Level 3 plan with cPanel. We will not be able to install and configure each service for you. We provide 75 free website transfers. The content transfers are free within the first 30 days; for any requests outside the first 30 days, we will reply back with a quoted price. We provide 100 website transfers. The content transfers are free within the first 30 days; for any requests outside the first 30 days, we will reply back with a quoted price. This will also include your emails and email accounts. Please note that this does require that your old hosts cPanel backup generator to be active. A few examples An Aluminium Reseller account includes up to 30 free transfers. Out of this 30, you can have 20 cPanel to cPanel transfers and 10 Manual Transfers, or any combination of the two that totals 30 or less websites. Another example A Pro Dedicated server includes unlimited cPanel to cPanel transfers, this means you can have 150 sites or even more moved.

Also since there is an unlimited total number of transfers, you can utilize up to 100 Manual Transfers. However, that being said, we do require all customers to be fully compliant with our Terms of Service and to only utilize disk space and bandwidth in the normal operation of a personal or small business website. For example, customers who are using 25% or more of system resources for longer than 90 seconds would be in violation of our Terms of Service. Please see our TOS or contact us with any questions. What happens if I exceed usage. If we have concerns about your accounts bandwidth or disk space utilization, you will receive an email asking you to reduce usage. Again, it is very rare for a customer who is managing a personal or small business website to exceed our usage policies. We are confident you will be happy, and even offer you a full 45 day money back guarantee to try us out. If you are not completely satisfied with our services within the first 45 days of your service, you will be given a full refund of the contract amount. Please note that this is only for shared, reseller and vps hosting packages and does not apply to dedicated servers, administrative fees, install fees for custom software, or domain name purchases. For more information please contact us at any time and well be happy to provide you more information. Close Pricing Reflects A Discount On The First Invoice Only HostGator often offers promotions, coupons

and special offers to customers during their initial term. Please note that special offers are limited time promotional prices that are available to new customers and are valid for the Initial Term only, and not for successive or renewal periods. Standard VAT rates based on EU Member State regulations may apply. No Thanks! Close Full Ecommerce Ecommerce features include the following Shopping cart Inventory management Choice of several payment processors Facebook integration Coupon codes.

<https://www.advancedevents.ro/wp-content/plugins/formcraft/file-upload/server/content/files/16286aabe8abc6--Cable-height-meter-user-manual.pdf>

Close What Do I Need To Transfer Follow these simple tips in order to smoothly transfer your domain name. Close How Do We Stack Up Against The Competition. Get Started All brand names are trademarks of their respective owners. Prices and features are subject to change without notice. Choose Your Login HostGator Customer Portal Portal Login Gator Website Builder Gator Login Log in to Gator for the website building experience, or access Portal for your existing HostGator account. Saying something that 90% of all web hosting companies use cPanel wouldn't be an overstatement. So this is where the following cPanel tutorial comes into play. We know this stuff. Our goal is to keep this guide as simple as possible and we wrote this up to date cPanel tutorial with the newbie in mind. So you don't have to worry about it being too technical. While cPanel does offer you a huge volume of features and customizations to take care of, you don't really have to understand them all in order to manage your website effectively. We're going to cover everything in this guide. This sounds farfetched at first, but it's actually very doable. Here's how For example If you need a bit more help, cPanel has some video tutorials of its own. For example In our case, the selection comprises of the Basic, Dark, Light, and Retro styles. In it, there's a simple search field, a link to your user preferences, a notifications bell, and the logout link. Actually, using the search field is a much quicker way to navigate around cPanel than trying to browse around and get to a certain option manually. The search field starts presenting you with results immediately as you type. Usually, cPanel uses notifications to let you know about news, critical updates, security concerns or other must-know information. Just punch in what you're after, and cPanel will dig it up for you. In our case, from the top down, these stand for Home, Statistics, Dashboard, and User Management.

You can also see which email accounts you've set up, as well as who has access to your FTP and web disk in case you're sharing an account with other users or admins. You'll be taken to this screen Using the Password Generator is likely the right way to go, as it will give you a strong and secure password. Just click the button and let the generator take care of the rest That person will require their own user profile in cPanel. There are three icons next to each account you can see them in the screenshot above You'll also be asked to create a password for the user. Interestingly, they correspond to the three icons that we described just a couple of paragraphs above You can choose what directory the new user will have access to, and limit the space they can use. This is also filled out automatically. It's best to stick with these recommended settings. There are links for removing and managing the redirections on the right. Clicking on any of them will show you another settings panel where you can confirm the deletion or enter the destination that you want to redirect the domain to. Here's how that usually works, based on an example To fix that, what you should do is redirect that new subdomain to your standard domain. To say it another way, after doing that, whoever tries to go to johnsworld.john.greathost.com will be automatically redirected to johnsworld.com. On the next screen, set up the redirection by entering the full domain name that you want to redirect to. In our example, that's johnsworld.com. Click on "Save" when done. For instance, if your main website is, again, at johnsworld.com, then you could consider launching a blog under blog.johnsworld.com. You have full freedom to choose whatever subdomain you want. Just fill out the form that's at the top. It's a good practice to input your full subdomain there. Example blog.johnsworld.com. If you haven't added your domain name to cPanel yet, you'll need to do that

first.

Remember emails take up space on your server, so you may not want to give everyone unlimited access. So, to actually configure your email locally, you first need to click on the "Access Webmail" link that's visible next to your address in the "Email Accounts" tab. Once there, scroll down to the section labeled "Mail Client Automatic Configuration Scripts". You'll see something like this. If yours is on the list, just click on the link next to it and finish the configuration according to the advice given. Click on the "Access Webmail" link that's visible next to your address in the "Email Accounts" tab. Simply navigate to and you'll be greeted by this screen. We'll stick with the former here. You'll see this. In the field below, enter the full email address where you want to redirect the messages. However, when signing up for Netflix, you don't want to use that address since you're worried that it might eventually leak onto the web and get picked up by spambots. The spam filters themselves are often on by default and you cannot disable them like it is in my case. However, you can still finetune how the filters work. While it may seem like a good idea at first, you're actually better off leaving that one. Therefore, you want to be able to take a look into your spam folder every once in a while and have a quick glance if anything there requires your attention. With the autodeletion turned on, you won't have this possibility. Once you click on it, you'll see this. It's probably a good idea to whitelist all emails from your company or any other crucial contacts from your network. Alternatively, cPanel also provides you with tools to manage your files without an FTP tool. We'll cover that next. What you'll see is the central panel of the "File Manager". It'll look something like this. First, on the left, you'll find your root main folder and some subfolders you can see this in the screenshot above. If you upload a file via the File Manager or FTP, that might not be the case.

WordPress works really well with files. Once there, scroll down to "Special FTP Accounts". Your main FTP account should be there. You'll see this screen. If you leave this blank, the user will have access to the root. It's best to input the directory associated with the project that the account is for. Best leave at "Unlimited". For the purpose of this guide, we'll stick to MySQL, but working with PostgreSQL is nearly the same. This will speed up the process of getting your website up and running. As you take a look at the sidebar, there are installers for blogs, microblogs, forums, wikis, ecommerce, and a lot more. You'll see the WordPress logo as the first option in the center part of the screen. Put your mouse cursor over that icon and the "Install" button will appear. Click on it. Softaculous will show you the following form. It's recommended to always go for the latest available one the highest number. Pick from the dropdown list. You can change this later on from within WordPress itself, so you don't need to spend too much time thinking on it now. You can adjust this setting from within WordPress later on. Fairly advanced stuff. It's perfectly fine to leave the admin name as admin, though you might want to change it to something more complex. You're going to be a lot more secure with a username like mydoglikes cuddles. Why? It's just exceptionally more difficult to guess, hence making it harder for a hacker to break into your site. The installer will suggest a secure password for you. You might as well go with that, but remember to save it to a password manager like LastPass. That way you don't have to memorize it. Go with the language that matches the target audience of your future website. For example, if you're in the US, and you want to target a Spanishspeaking audience, select WordPress language as Spanish. If you want to, you can install some handy plugins right from Softaculous. We're not going to get into that for now.

You can install plugins later on very easily. The theme selection that Softaculous shows you are limited. You'll also see direct links that you can use to log in to that fresh new installation. This is perhaps even worse since it's very likely your website is your business. Check with your hosting provider to make sure. Still, learning how to back up manually can prove a valuable skill in the future. You can check how much of that space you're using up via cPanel. You'll see various info on how much disk space you're consuming, how many databases you've set up in total, and more. The presentation varies between each of these subsections. Don't hesitate to comment below or reach

out to us via the contact page. What is the procedure I changed something in site publisher and it totally changed my entire website. Now I am trying to get it back. Help! I can try to help you troubleshoot. So now I'm stuck. Any advice They might be using a different type of control panel. Is this done through cPanel or some other method. Email Hosting Robust enterprise grade email hosting. Django Hosting Expert hosting for your Django app. Reseller Hosting Host many sites under a white label. ASP Hosting Powerful ASP Hosting FileMaker Hosting Specialist hosting for FileMaker Website Builder Build your own website today. Node.js Hosting Blazing fast Node.js Hosting SSL Certificates Secure your site with our range of SSL certs. Other Hosting Options WordPress Hosting Amazing WordPress Hosting Magento Hosting Optimised Magento hosting Drupal Hosting Superb Drupal Hosting Joomla Hosting OneClick Install Joomla View All Apps More Applications Domain Names Cloud Servers Linux Cloud Servers Windows Cloud Servers Other Cloud Servers cPanel SSD Cloud Servers VPS Cloud servers powered by cPanel. Plesk SSD Windows Cloud Servers VPS Windows base cloud VPS solutions. Managed SSD Cloud Servers VPS A fully managed cloud solution. Plesk SSD Linux Cloud Servers VPS Linux based Plesk VPS solutions.

Windows SSD Cloud Servers VPS Windows based cloud VPS servers. Unmanaged SSD Cloud Servers VPS A completely unmanaged VPS solution. DirectAdmin Cloud Servers Cloud servers powered by DirectAdmin. FileMaker Cloud Servers Cloud server solutions for FileMaker. Bespoke Systems Need something custom. Ecommerce Hosting Optimised Hosting for Online Shops Help Get help managing your account. Docker Hosting Expert hosting for your docker app. Migrating to HostPresto Moving can be tough, so let us do it for you. Contact Get in touch with the HP support team. PHP Hosting Highly optimised PHP hosting. Blog The latest news and updates. Tutorials Check out our easy to follow tutorials. Affiliates Join our affiliate program. In this guide we will show you how to update your cPanel server to the latest version. Note Depending on what is being updated during this process, some services may be temporarily unavailable such as Apache, which can cause intermittent down time during the update. It is normally advisable to perform this out of normal hours, or at a time that will cause least disruption to the websites hosted on the server. On the Upgrade to Latest Version page click on the Click to Upgrade button to begin the update. WHM will then initiate the update, and show you the overall process bar, along with the log output as to what is currently being processed. If any errors are encountered during this process they will be listed within the output log on this page. Once the progress bar reaches 100%, itself and the log output will turn green to show that the process has completed. WHM will also note underneath the progress bar Upgrade Complete. If you then go back to your main WHM page, you will see the updated version number in the top right corner of the page. Sometimes, if the update was a major release, or included a significant patch such as a server Kernel update, you may also be prompted to restart the server to complete the update.

If this is the case, you will see a yellow prompt in the top right of the page advising you to restart the server. If you are unsure on how to do this please see our guide for How to reboot your cPanel server. Admin Related Posts How to reboot your cPanel server via WHM How to change PHP versions on your cPanel server within WHM How to transfer a cPanel account in to your cPanel server using WHM How to modify multiple cPanel accounts within WHM Comments Latest Posts How to check email disk usage and manage folders in cPanel If you find your cPanel disk space filling up, or an email address has hit its disk space quota, cPanel has a helpful built in Email Disk Usage tool. This will provide you with a simple to understand breakdown of how much disk space each folder for a particular email. In this guide we will show you how. WHM allows you to quickly change the settings of any PHP version installed on the server when needed, using the.

<http://superbia.lgbt/flotaganis/1653281037>